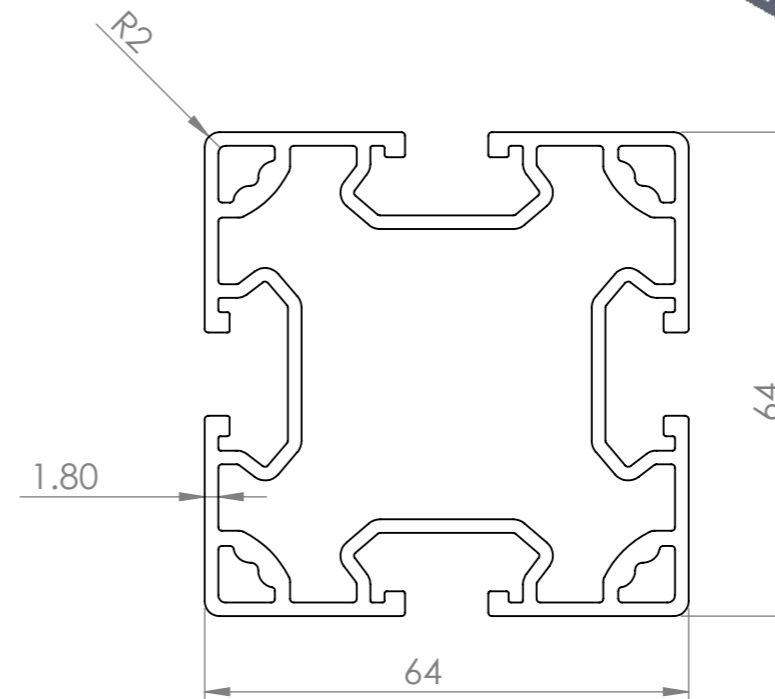
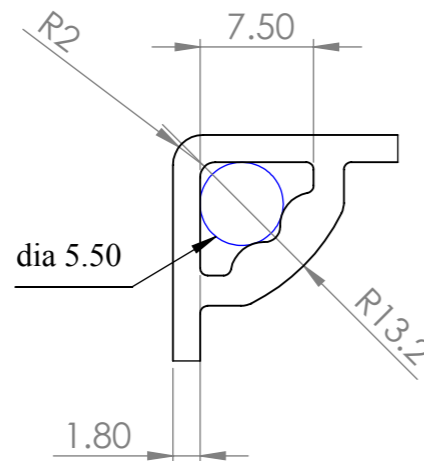
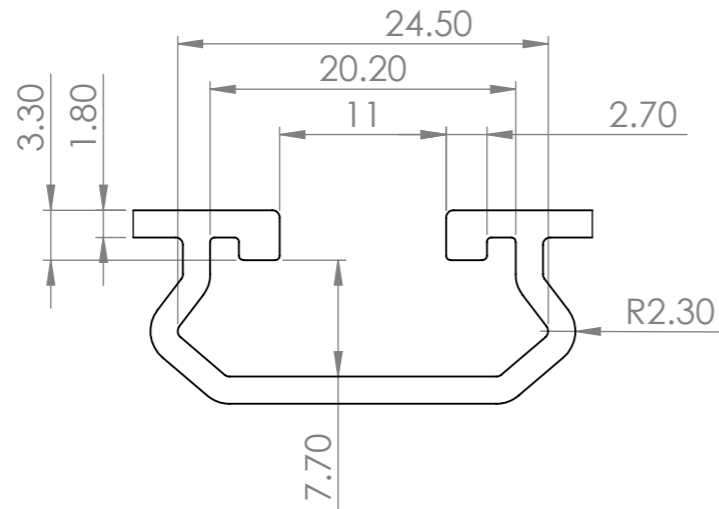
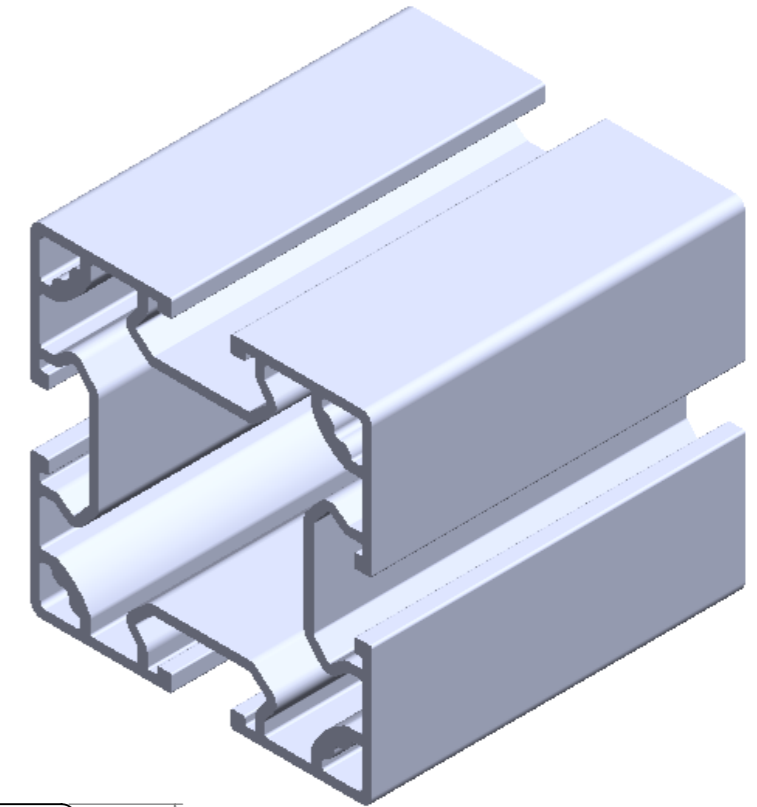


Profile Group -

Part Code - SCBL 3 x 64

Description - Beam 64 mm x 64mm



ALL DIMENSIONS
ARE IN MM



SICA INDIA
www.sica.in

DATE 25-01-2014
DRAWN BY Praful
CHECKED BY

PART NAME SCBL 3 x 64

DRG. NO. 4457

MATERIAL ALUMINIUM
ALLOY 6063T6

APPROX. WT. 2.310

REVISION

**MODULAR
ASSEMBLY
SYSTEM**

**MODULAR
CONVEYOR
SYSTEM**

**ERGONOMIC
WORKSTATION AND
LEAN PRODUCTION
SYSTEM**

**MACHINE GUARD
AND
ENCLOUSURE
SYSTEM**

**LINEAR
MOTION
SYSTEM**

**CLEAN
ROOM
SYSTEM**