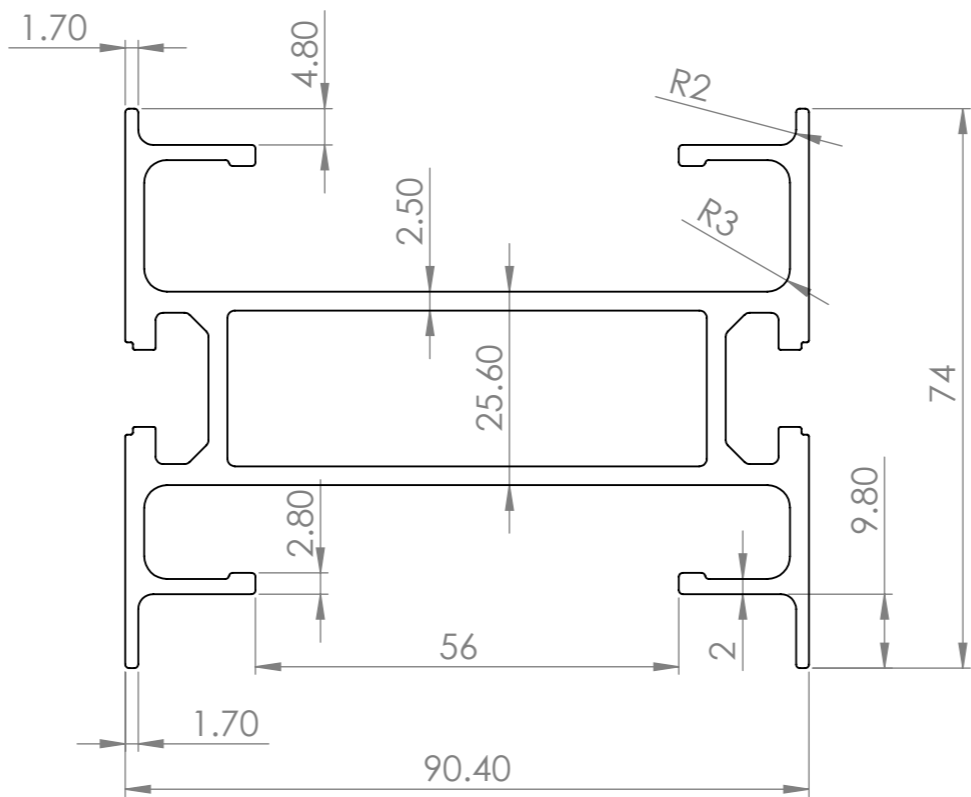
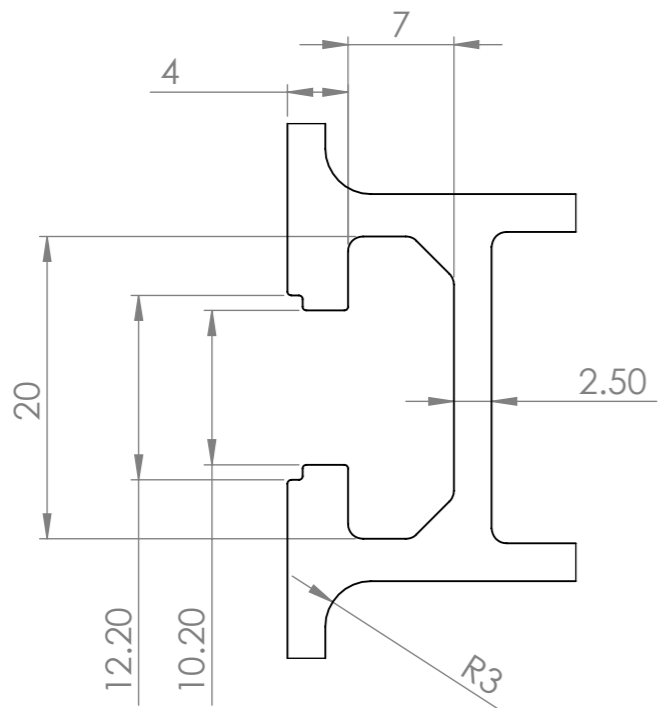
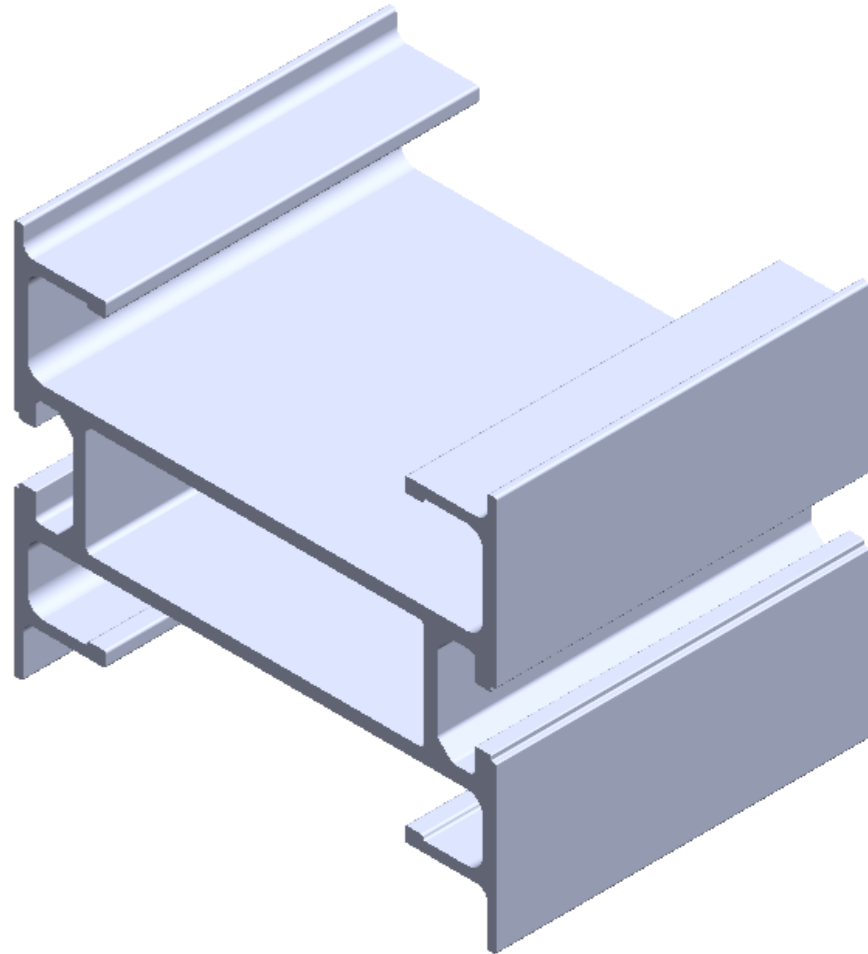


Profile Group -	Conveyer
Part Code -	CON PG 7490
Description -	Conveyer PG7490



ALL DIMENSIONS
ARE IN MM



SICA INDIA
www.sica.in

DATE	17-08-2012
DRAWN BY	Praful
CHECKED BY	

PART NAME
CON PG 7490

MODULAR ASSEMBLY SYSTEM	MODULAR CONVEYOR SYSTEM	ERGONOMIC WORKSTATION AND LEAN PRODUCTION SYSTEM	MACHINE GUARD AND ENCLOUSURE SYSTEM	LINEAR MOTION SYSTEM	CLEAN ROOM SYSTEM	DRG. NO. 4443	MATERIAL ALUMINIUM ALLOY 6063 T6
						APPROX. WT. 2.800 kg/mtr	REVISION