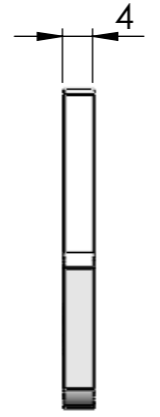
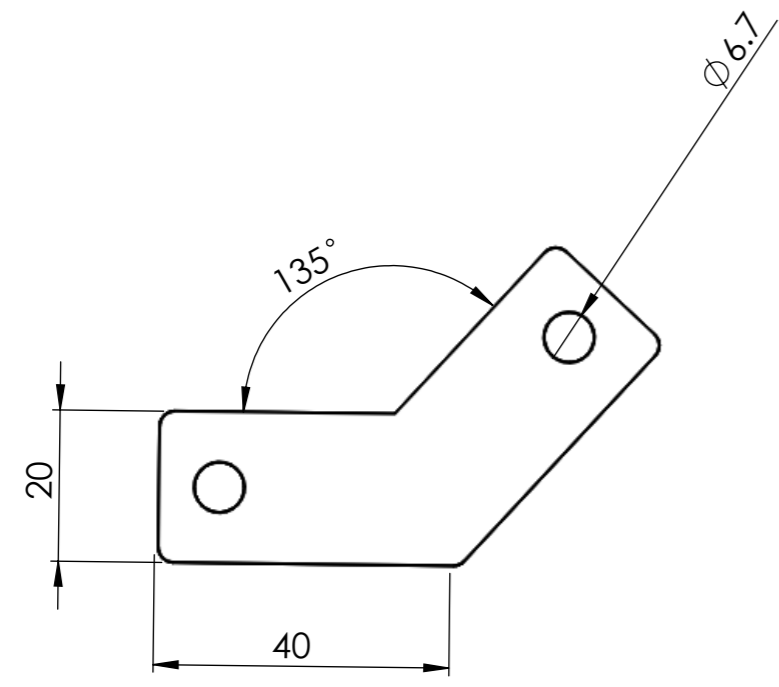
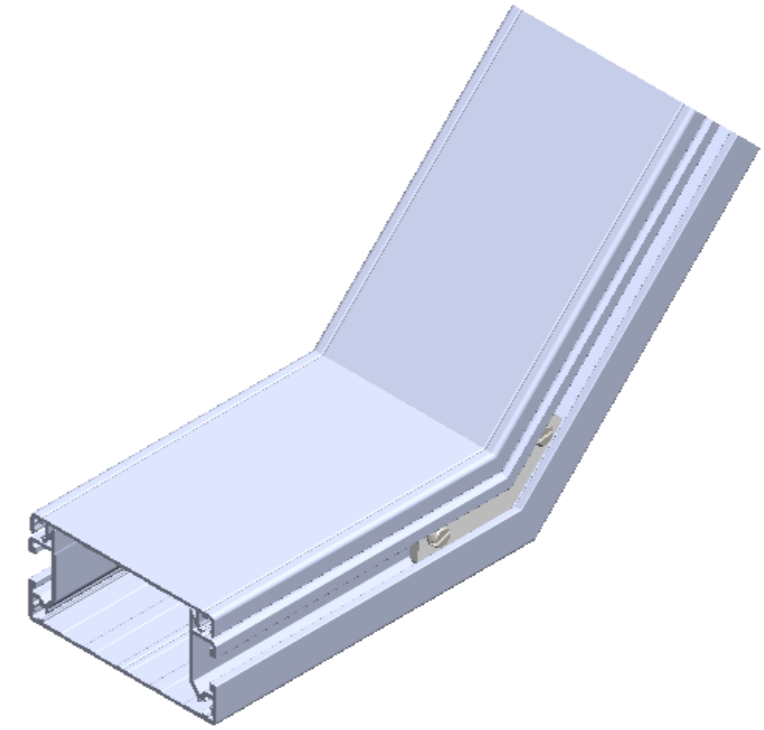
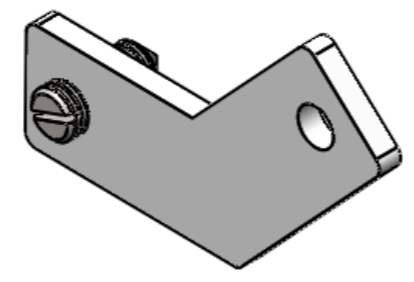


|                        |                |
|------------------------|----------------|
| <b>Profile Group -</b> | CABLE TRAY     |
| <b>Part Code -</b>     | SMRW 20 X 45   |
| <b>Description -</b>   | INNER FITTINGS |

INCLUDES SCREW



ALL DIMENSIONS ARE IN MM

|  |                                  |
|--|----------------------------------|
|  | <b>SICA INDIA</b><br>www.sica.in |
|--|----------------------------------|

|            |            |
|------------|------------|
| DATE       | 01-09-2016 |
| DRAWN BY   | M.S        |
| CHECKED BY |            |

|                  |            |
|------------------|------------|
| <b>PART NAME</b> | CONNECTORS |
|------------------|------------|

|                                |                                |   |   |                             |                          |
|--------------------------------|--------------------------------|---|---|-----------------------------|--------------------------|
| <b>MODULAR ASSEMBLY SYSTEM</b> | <b>MODULAR CONVEYOR SYSTEM</b> | <b>ERGONOMIC WORKSTATION AND LEAN PRODUCTION SYSTEM</b> | <b>MACHINE GUARD AND ENCLOSURE SYSTEM</b> | <b>LINEAR MOTION SYSTEM</b> | <b>CLEAN ROOM SYSTEM</b> |
|--------------------------------|--------------------------------|---|---|-----------------------------|--------------------------|

|                    |                 |
|--------------------|-----------------|
| <b>DRG. NO.</b>    | <b>MATERIAL</b> |
| <b>APPROX. WT.</b> | <b>REVISION</b> |