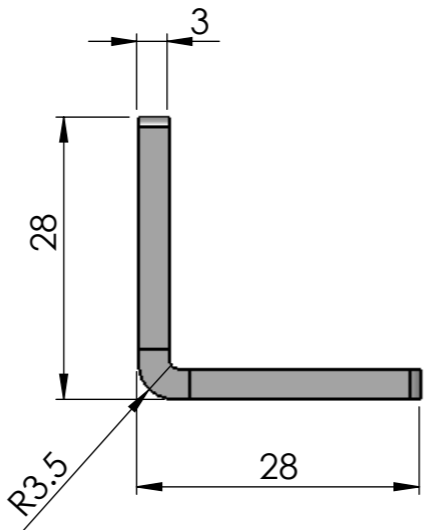
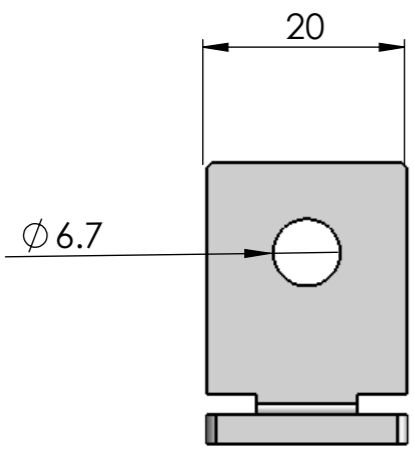
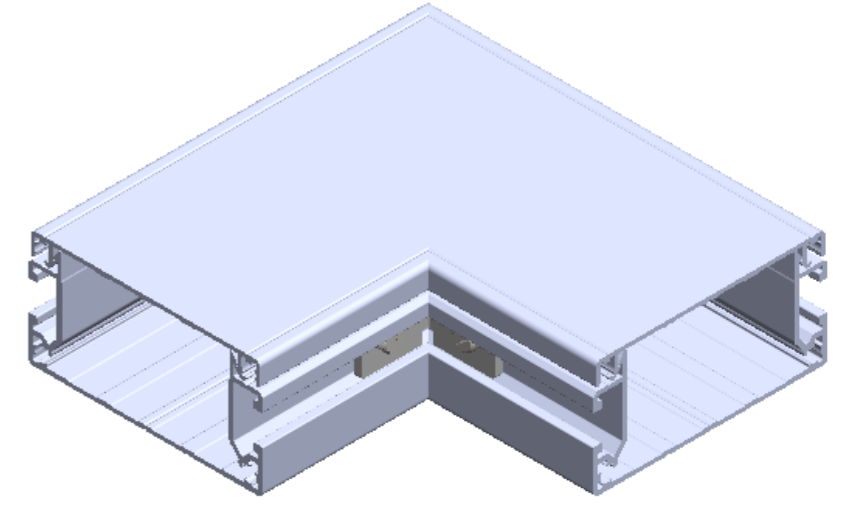
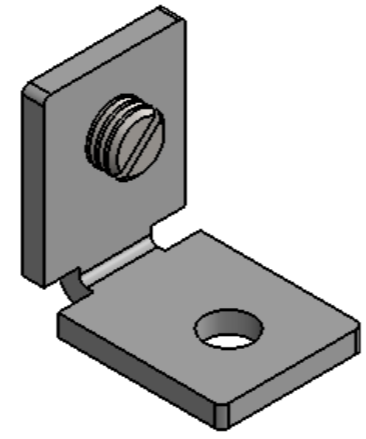


Profile Group -	CABLE TRAY
Part Code -	SMRX 20
Description -	INNER FITTINGS

INCLUDES SCREW



ALL DIMENSIONS ARE IN MM

	SICA INDIA www.sica.in
	PART NAME CONNECTORS

DATE	01-09-2016
DRAWN BY	M.S
CHECKED BY	

DRG. NO.	MATERIAL
APPROX. WT.	REVISION

MODULAR ASSEMBLY SYSTEM	MODULAR CONVEYOR SYSTEM	ERGONOMIC WORKSTATION AND LEAN PRODUCTION SYSTEM	MACHINE GUARD AND ENCLOSURE SYSTEM	LINEAR MOTION SYSTEM	CLEAN ROOM SYSTEM
-------------------------	-------------------------	--	------------------------------------	----------------------	-------------------