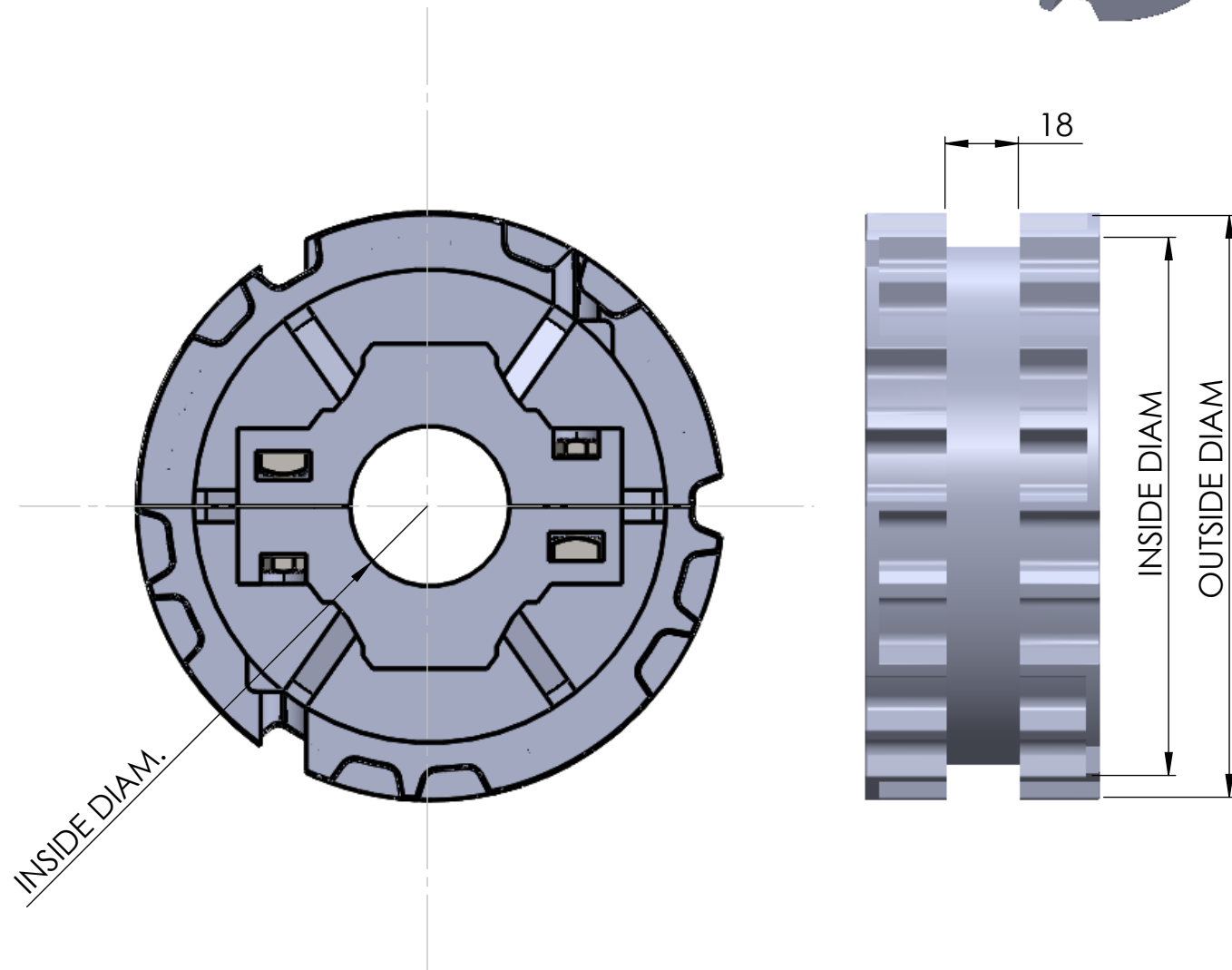
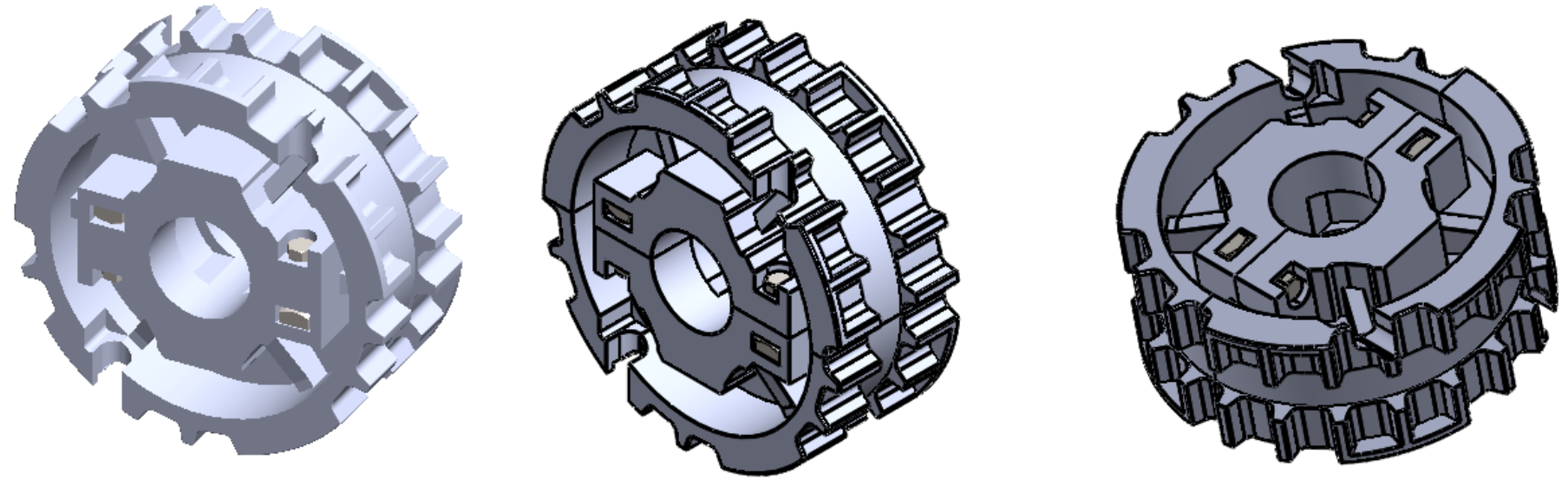


Profile Group - CONVEYOR COMPONENTS

Part Code - CC.PL.21.130.PA

Description - SPLIT SPROCKET MOULDED



NO. OF TEETH	OUTSIDE DIAMETER	PITCH DIAMETER	INSIDE DIAMETER
21	129.20	130	25-40

ALL DIMENSIONS ARE IN MM



SICA INDIA
www.sica.in

DATE	10-03-2016
DRAWN BY	M. S
CHECKED BY	

PART NAME SPROCKET

DRG. NO.	MATERIAL Polyamide
APPROX. WT.	REVISION

MODULAR ASSEMBLY SYSTEM

MODULAR CONVEYOR SYSTEM

ERGONOMIC WORKSTATION AND LEAN PRODUCTION SYSTEM

MACHINE GUARD AND ENCLOSURE SYSTEM

LINEAR MOTION SYSTEM

CLEAN ROOM SYSTEM