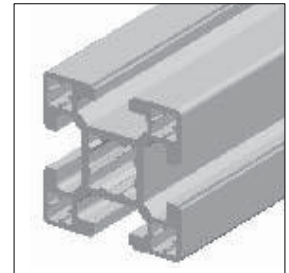
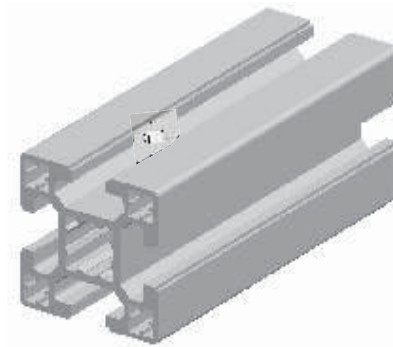


## Diamond Nut

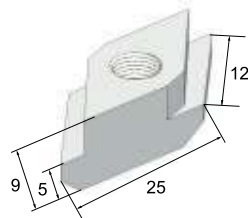
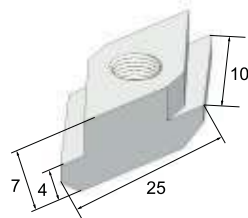
Nut can be inserted into T slot from outside directly while spring will hold it's position



Reliability	★★★★
Efficiency	★★★★★
Cost	★★★★★

DIAMOND NUT

18



L (mm)	Material	Part No.
18	nickel plated steel	08.DN.M5
18	nickel plated steel	08.DN.M6

L (mm)	Material	Part No.
21.5	nickel plated steel	10.DN.M6
21.5	nickel plated steel	10.DN.M8