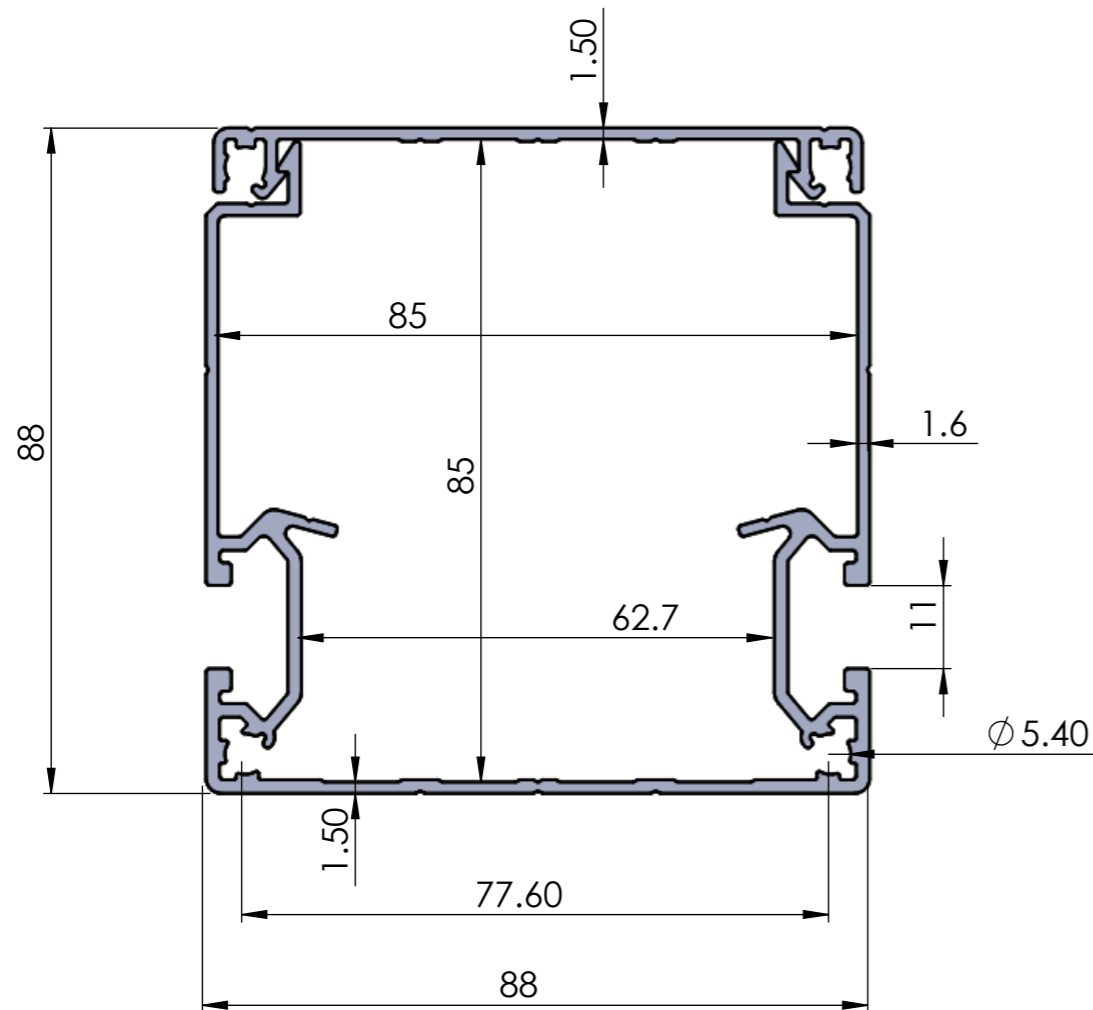
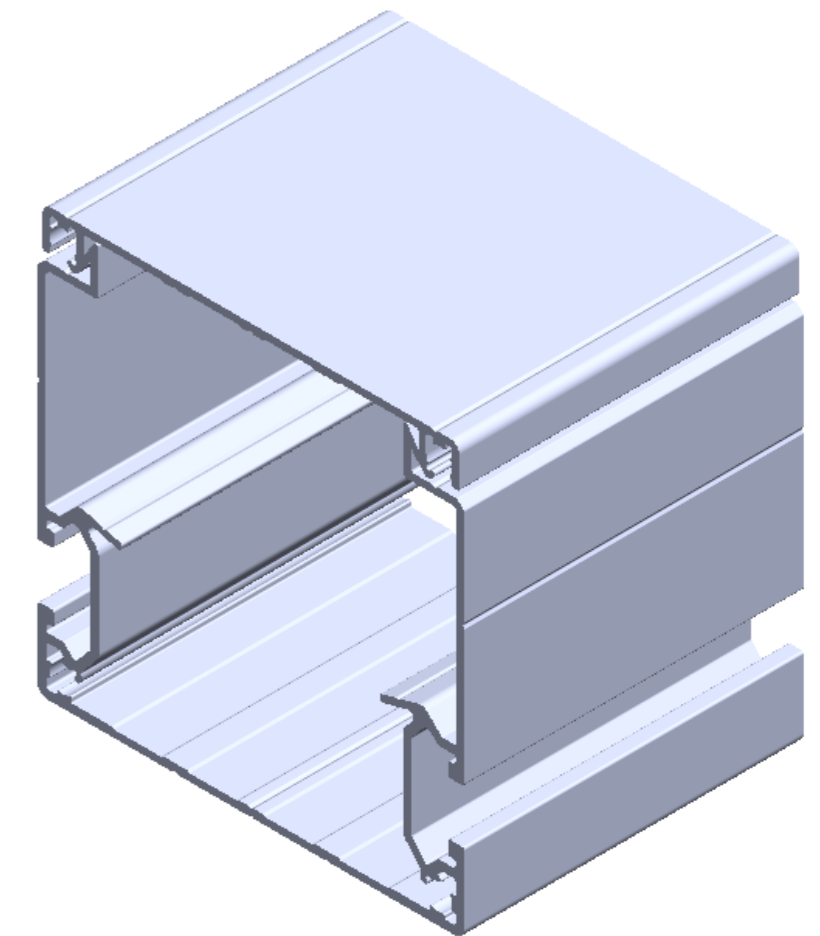
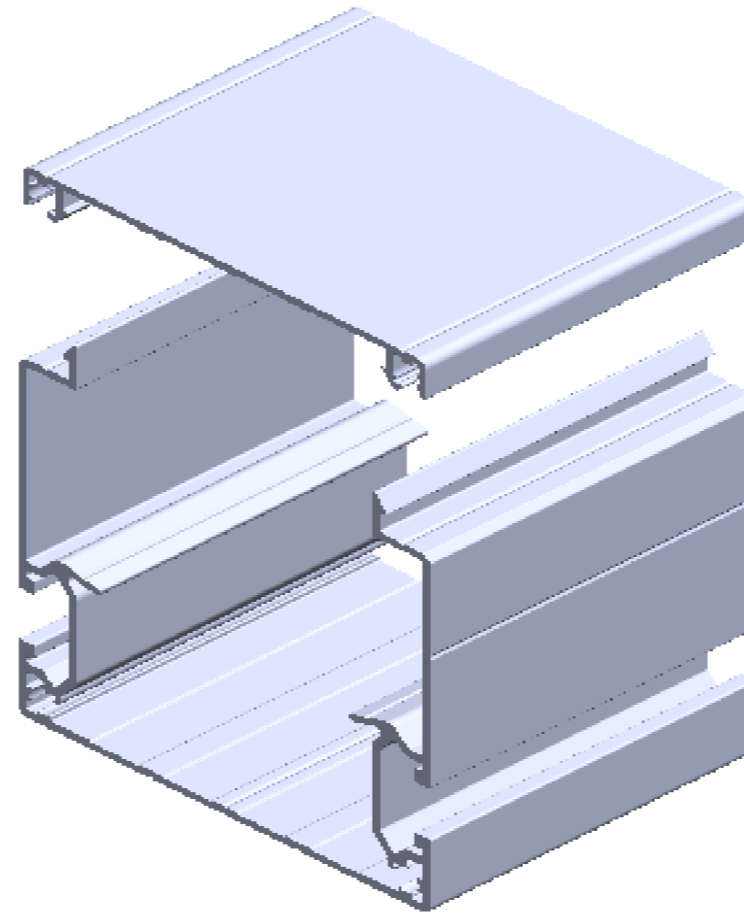


Profile Group - CABLE TRAY

Part Code - C.CT. 8888. AL

Description - CABLE TRAY 8888



ALL DIMENSIONS ARE IN MM



SICA INDIA
www.sica.in

DATE	24-08-2015
DRAWN BY	MS
CHECKED BY	

PART NAME CABLE DUCT WITH COVER

DRG. NO. 6305, 6309

MATERIAL ALUMINIUM ALLOY 6063 T6

APPROX. WT.

REVISION

MODULAR ASSEMBLY SYSTEM

MODULAR CONVEYOR SYSTEM

ERGONOMIC WORKSTATION AND LEAN PRODUCTION SYSTEM

MACHINE GUARD AND ENCLOSURE SYSTEM

LINEAR MOTION SYSTEM

CLEAN ROOM SYSTEM