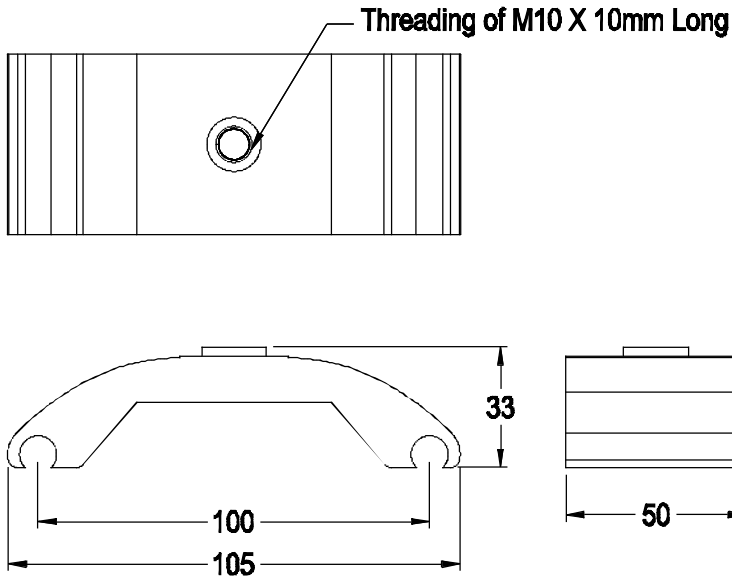


GUIDE RAIL CLAMP PA DOUBLE



Description	Material	Mass(gms./unit)	Part Number
Guide Rail Clamp Double	Polyamide	100	C.GRCD.PA.100



Modular Assembly System	Modular Conveyer System	Ergonomic Workstation and Lean Production System	Machine Guard and Enclosure System	Linear Motion System	Clean Room System
-------------------------	-------------------------	--	------------------------------------	----------------------	-------------------