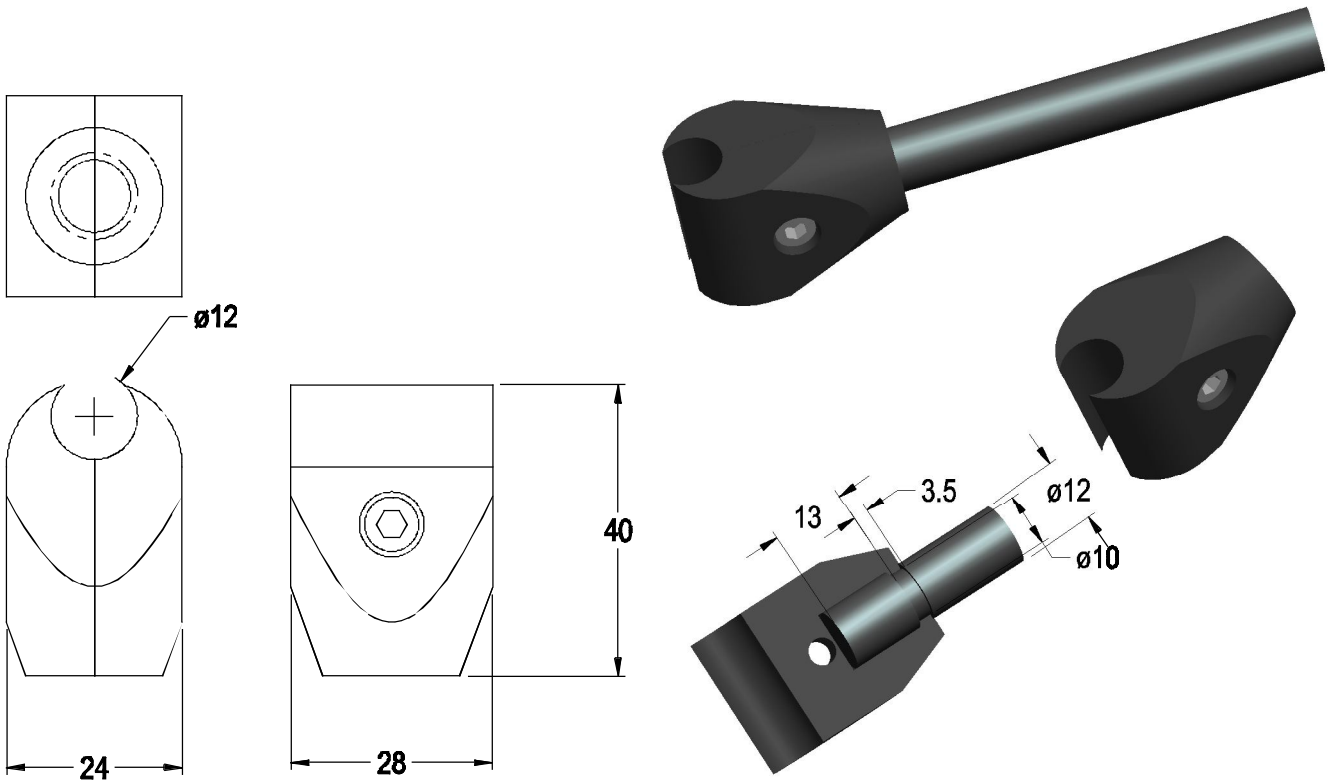


GUIDE RAIL CLAMP PA SINGLE



| Description | Material | Mass(gms./unit) | Part Number |
|-------------------------|-----------|-----------------|-------------------|
| Guide Rail Clamp Single | Polyamide | 30 | C.GRCS.PA.2823.10 |



| | | | | | |
|-------------------------|-------------------------|--|------------------------------------|----------------------|-------------------|
| Modular Assembly System | Modular Conveyer System | Ergonomic Workstation and Lean Production System | Machine Guard and Enclosure System | Linear Motion System | Clean Room System |
|-------------------------|-------------------------|--|------------------------------------|----------------------|-------------------|