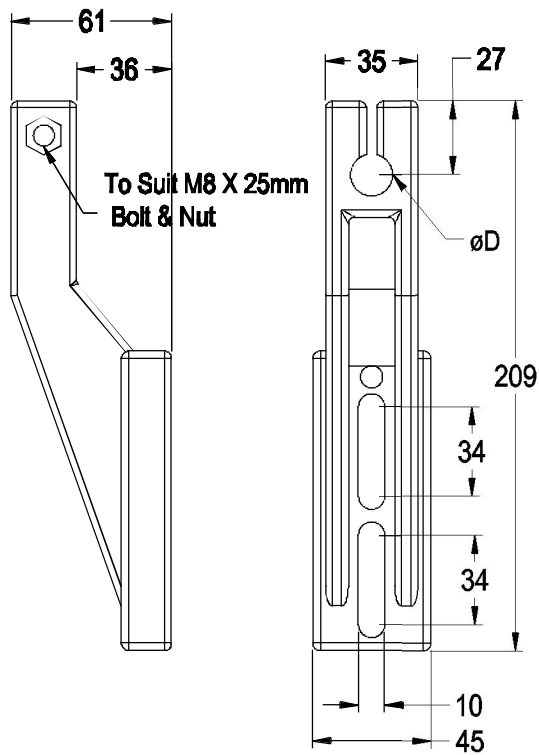


SIDE BRACKET



| Description | Material | Mass(gms./unit) | Part Number | ϕD |
|--------------|-----------|-----------------|-------------------|----------|
| Side Bracket | Polyamide | 150 | C.SB.PA.215.50.14 | 14 |
| Side Bracket | Polyamide | 150 | C.SB.PA.215.50.16 | 16 |
| Side Bracket | Polyamide | 150 | C.SB.PA.215.50.18 | 18 |

