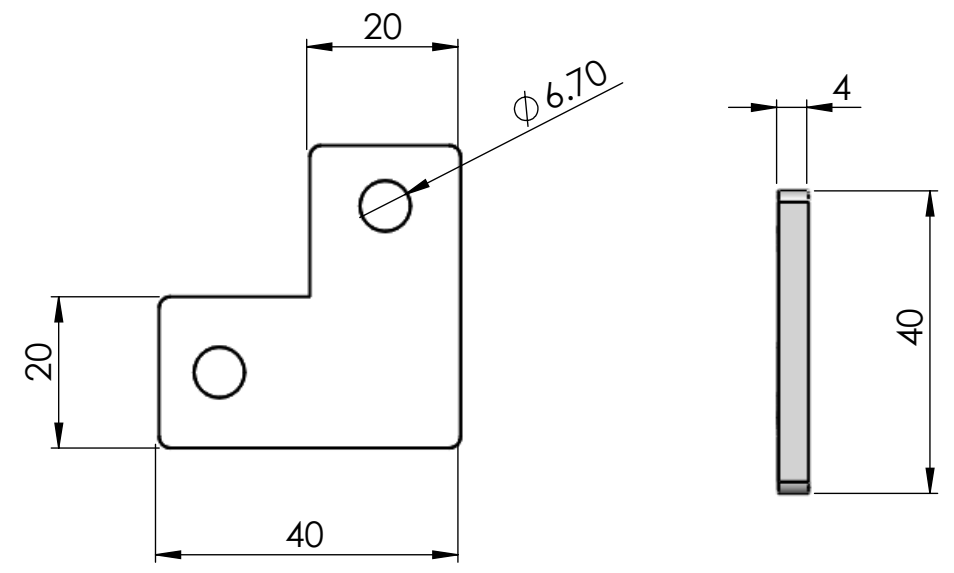
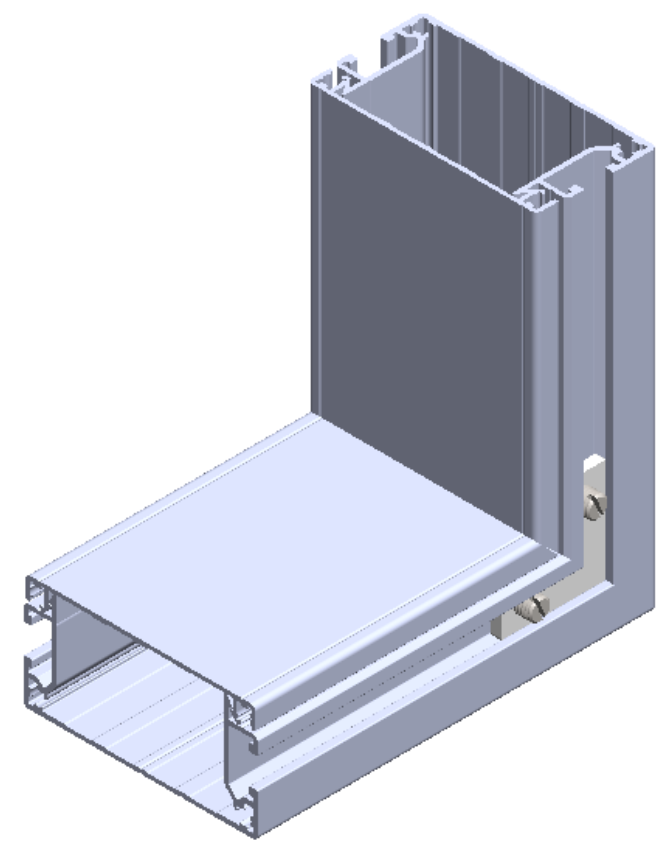
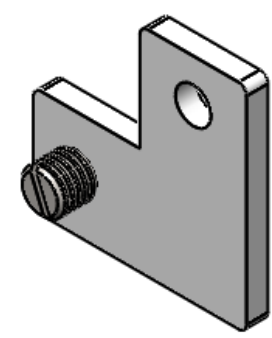


<b>Profile Group -</b>	CABLE TRAY
<b>Part Code -</b>	SMRW 20
<b>Description -</b>	INNER FITTINGS

INCLUDES SCREW



ALL DIMENSIONS ARE IN MM

	<b>SICA INDIA</b> www.sica.in
--	----------------------------------

DATE	01-09-2016
DRAWN BY	M.S
CHECKED BY	

<b>PART NAME</b>	CONNECTORS
------------------	------------

MODULAR ASSEMBLY SYSTEM	MODULAR CONVEYOR SYSTEM	ERGONOMIC WORKSTATION AND LEAN PRODUCTION SYSTEM	MACHINE GUARD AND ENCLOSURE SYSTEM	LINEAR MOTION SYSTEM	CLEAN ROOM SYSTEM
-------------------------	-------------------------	--	------------------------------------	----------------------	-------------------

DRG. NO.	MATERIAL
APPROX. WT.	REVISION