

SIDE MOUNTING TOP BRACKET

1



Part No. : C.SMTP.SS.48
Material : Stainless Steel

CONNECTING JOINT

2



Part No. : C.CJ.SS.48
Material : Stainless Steel

PIPE JOINT

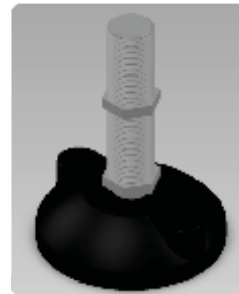
3



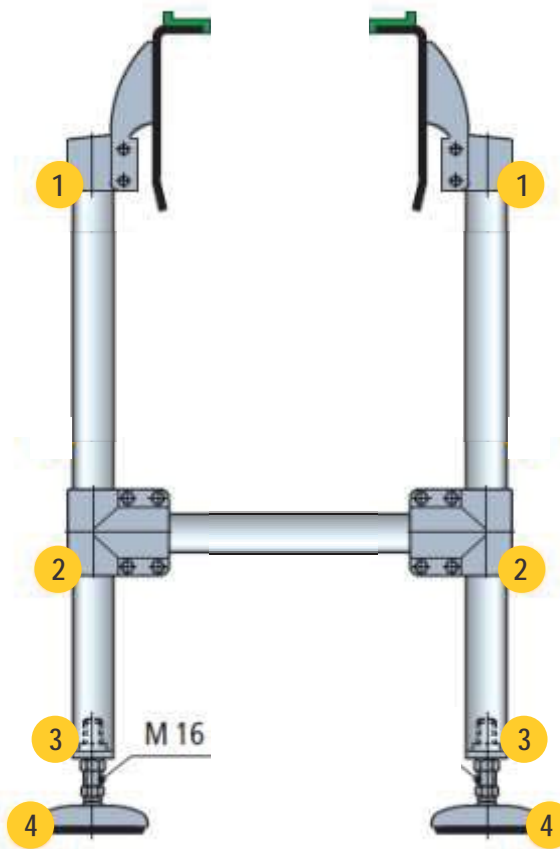
Part No. : C.PJ.PA.D16
Material : Polyamide

LEVELING BASE

4



Part No. : LB.100.16100.PA



Part No.

- 1 C.SMTP.SS.48
- 2 C.CJ.SS.48
- 3 C.PJ.PA.D16
- 4 LB.100.16100.PA