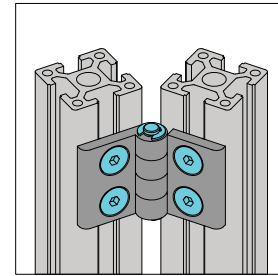


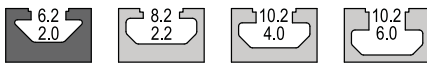
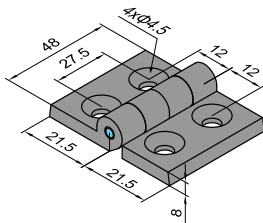
To open and close door or window.

Material and Color: PA6, black

Hinge



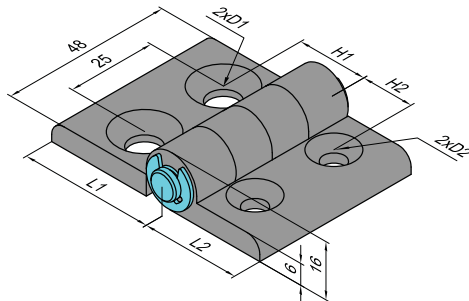
Hinge-PA6-20/20



FE Fastening Set

- M4x8 Bolt zinc plated
- M4 T-nut nickel plated

Description	Fastening Set	Mass (g)	Part No.
Hinge-20/20 (Unit)		29	HIN.2020.PA
Hinge-20/20	FE	29	HIN.2020.PA.Set



FL Fastening Set

- M6x12 Bolt zinc plated
- M6 T-nut nickel plated

Description	H1(mm)	H2(mm)	L1(mm)	L2(mm)	D1(mm)	D2(mm)	Material	Fastening Set	Mass (g)	Part No.
Hinge-30/30 (unit)	15	15	28	28	Φ6.5	Φ6.5	PA6		39	HIN.3030.PA
Hinge-30/40 (unit)	20	15	38	28	Φ6.5	Φ6.5	PA6		42	HIN.3040.PA
Hinge-40/40 (unit)	20	20	38	38	Φ6.5	Φ6.5	PA6		45	HIN.4040.PA
Hinge-30/30 (unit)	15	15	28	28	Φ6.5	Φ6.5	Aluminium Alloy		69	HIN.3030.AA
Hinge-30/40 (unit)	20	15	38	28	Φ8.5	Φ6.5	Aluminium Alloy		74	HIN.3040.AA
Hinge-40/40 (unit)	20	20	38	38	Φ8.5	Φ8.5	Aluminium Alloy		81	HIN.4040.AA

Hinge-30/30 (unit)	15	15	28	28	Φ6.5	Φ6.5	PA6	4 FL	39	HIN.3030.PA.Set
Hinge-30/40 (unit)	20	15	38	28	Φ6.5	Φ6.5	PA6	4 FL	42	HIN.3040.PA.Set
Hinge-40/40 (unit)	20	20	38	38	Φ6.5	Φ6.5	PA6	4 FL	45	HIN.4040.PA.Set
Hinge-30/30 (unit)	15	15	28	28	Φ6.5	Φ6.5	Aluminium Alloy	4 FL	69	HIN.3030.AA.Set
Hinge-30/40 (unit)	20	15	38	28	Φ8.5	Φ6.5	Aluminium Alloy	4 FL	74	HIN.3040.AA.Set
Hinge-40/40 (unit)	20	20	38	38	Φ8.5	Φ8.5	Aluminium Alloy	4 FL	81	HIN.4040.AA.Set

HINGE