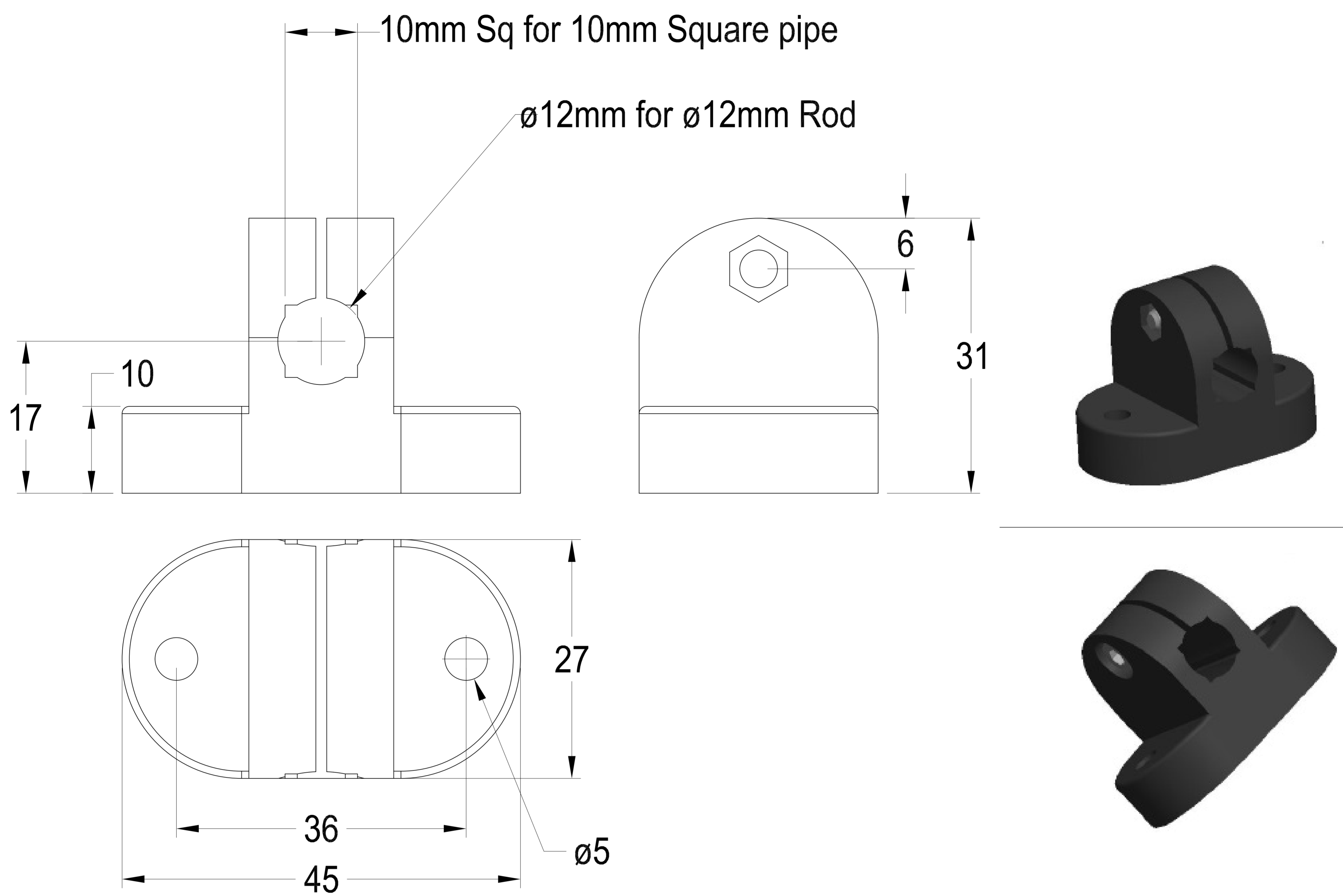


T CLAMP



Description	Material	Mass(gms./unit)	Part Number
T Clamp	Polyamide	50	C.TC.PA.4056.12

