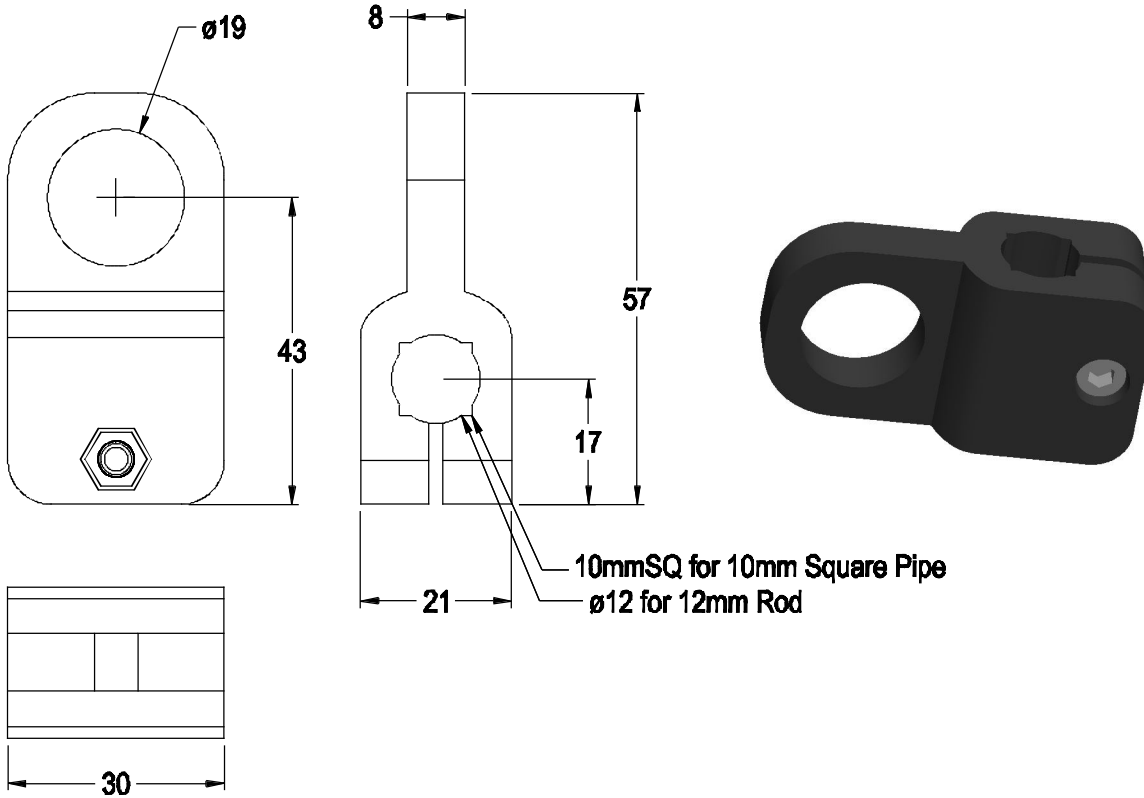


### SENSOR BRACKET



Description	Material	Mass(gms./unit)	Part Number
Sensor Bracket	Polyamide	20	C.SBL.PA.19



Modular Assembly System	Modular Conveyer System	Ergonomic Workstation and Lean Production System	Machine Guard and Enclosure System	Linear Motion System	Clean Room System
-------------------------	-------------------------	--	------------------------------------	----------------------	-------------------