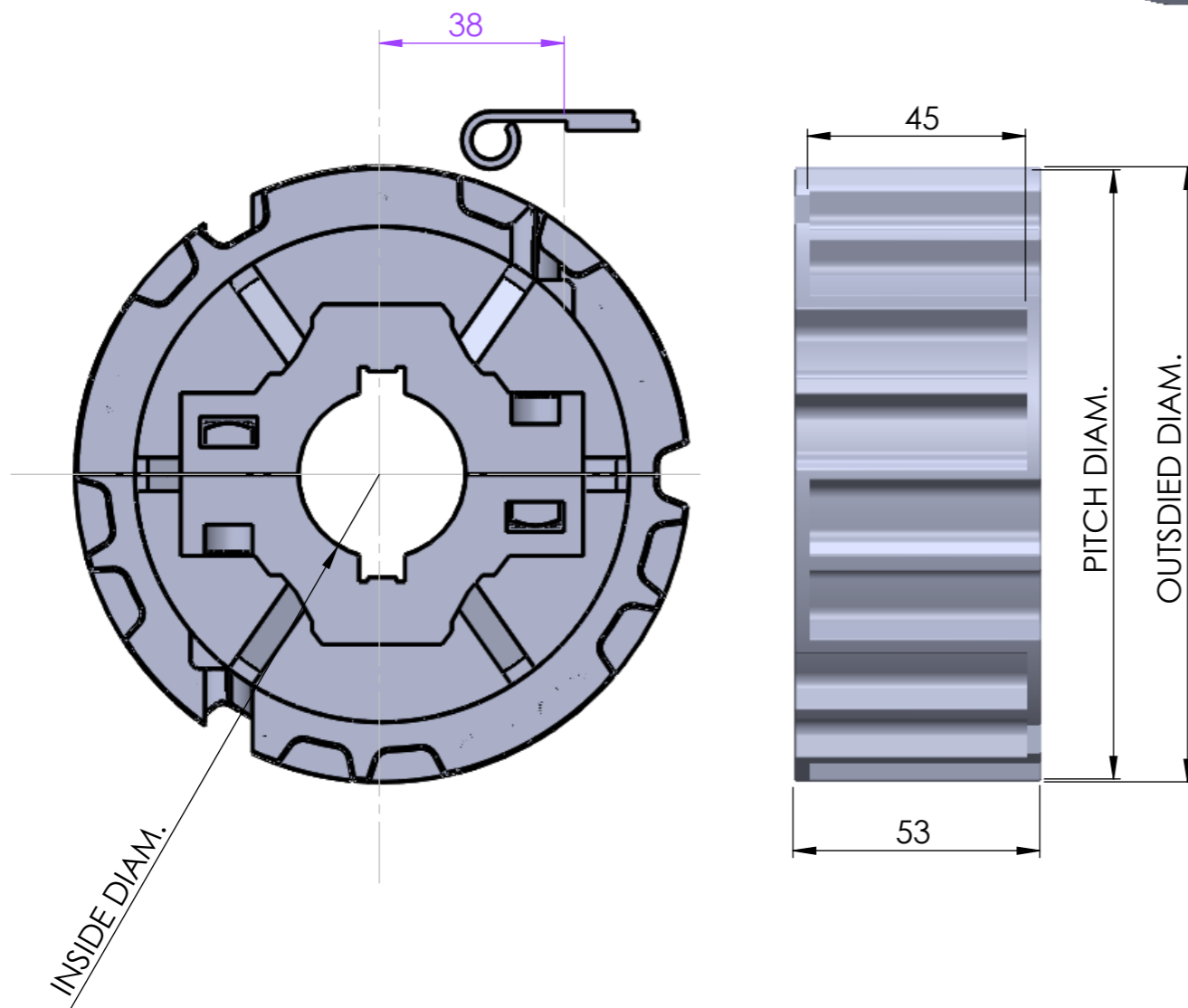
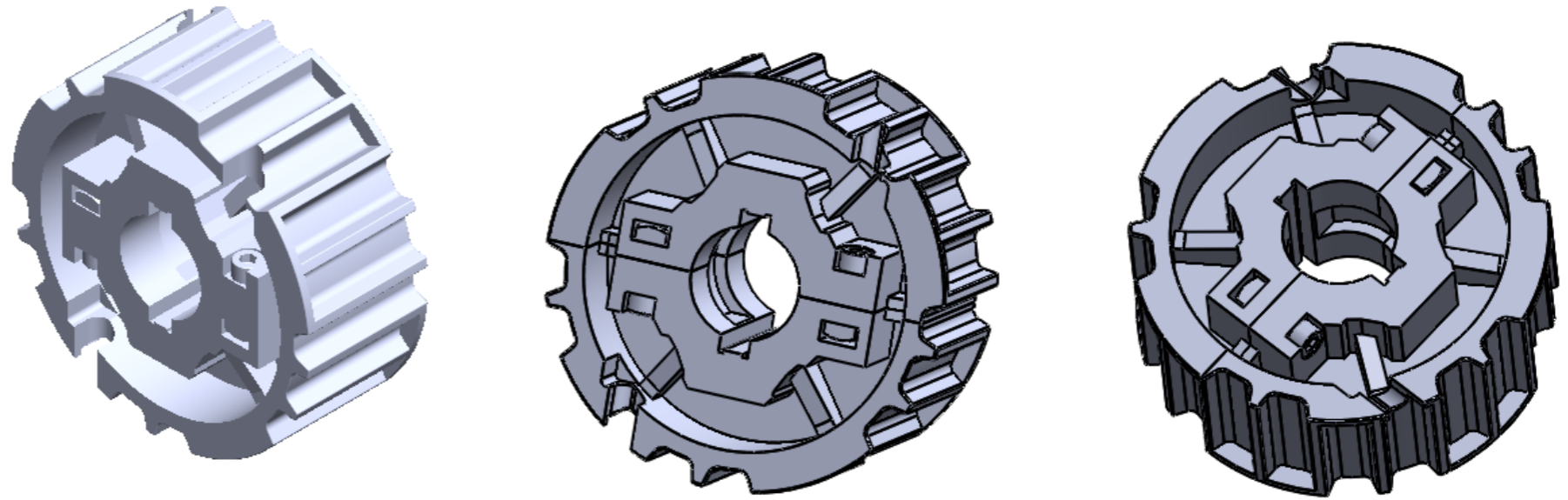


Profile Group - CONVEYOR COMPONENTS

Part Code - CC . SS . 21.130 . PA

Description - SPLIT SPROCKET MOULDED



NO. OF TEETH	OUTSIDE DIAMETER	PITCH DIAMETER	INSIDE DIAMETER
21	129.20	130	25-40

* HARDWARE STAINLESS STEEL

ALL DIMENSIONS ARE IN MM



SICA INDIA
www.sica.in

DATE	25-11-2015	PART NAME	SPROCKET
DRAWN BY			
CHECKED BY			
LINEAR MOTION SYSTEM	CLEAN ROOM SYSTEM	DRG. NO.	MATERIAL Polyamide
		APPROX. WT.	REVISION

MODULAR ASSEMBLY SYSTEM	MODULAR CONVEYOR SYSTEM	ERGONOMIC WORKSTATION AND LEAN PRODUCTION SYSTEM	MACHINE GUARD AND ENCLOUSURE SYSTEM
-------------------------	-------------------------	--	-------------------------------------