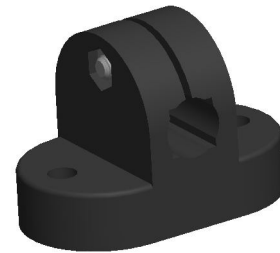
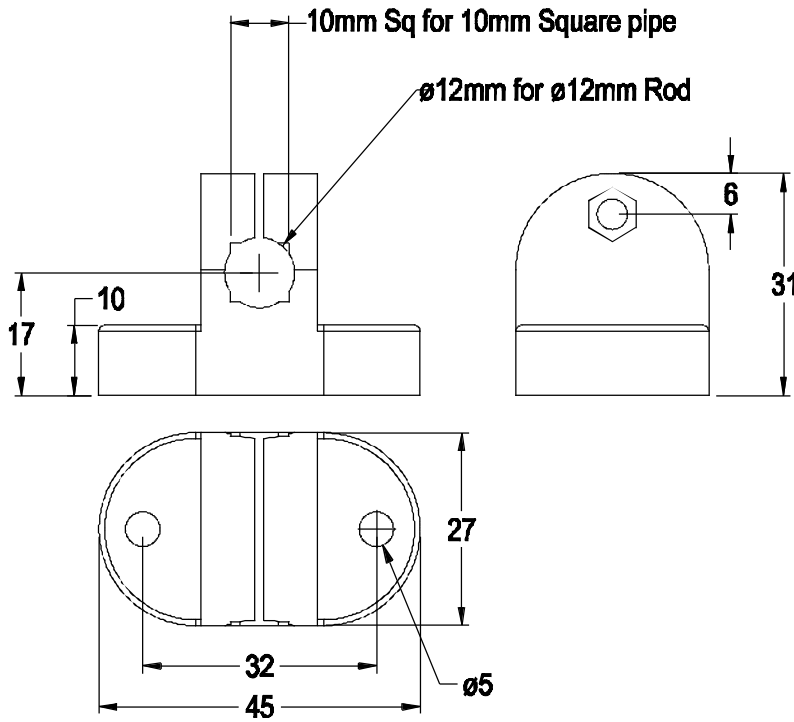
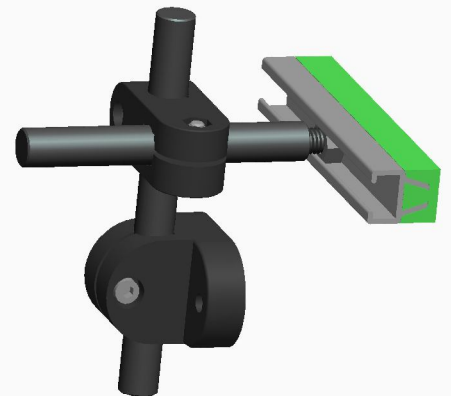
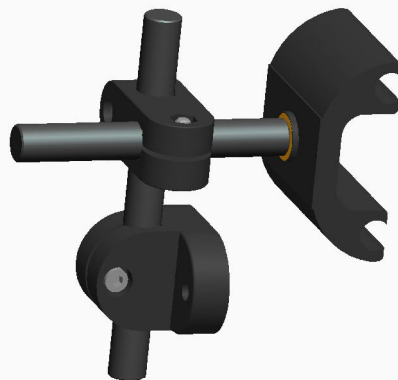


T CLAMP



Description	Material	Mass(gms./unit)	Part Number
T Clamp	Polyamide	50	C.TC.PA.4056.12



Modular Assembly System	Modular Conveyer System	Ergonomic Workstation and Lean Production System	Machine Guard and Enclosure System	Linear Motion System	Clean Room System
-------------------------	-------------------------	--	------------------------------------	----------------------	-------------------