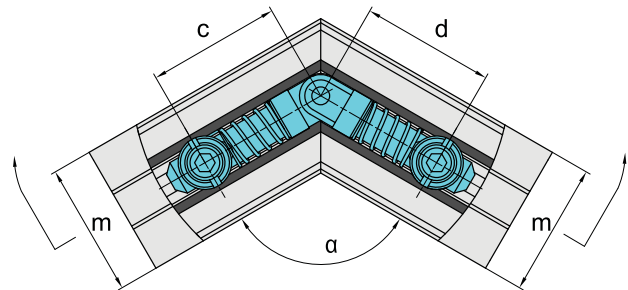
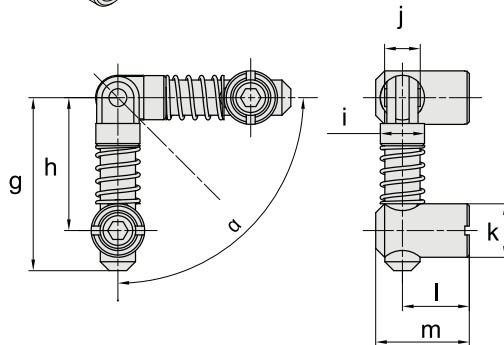
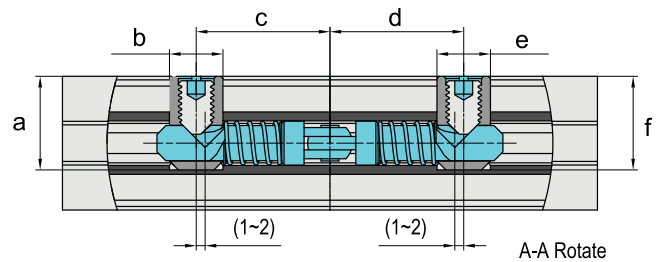
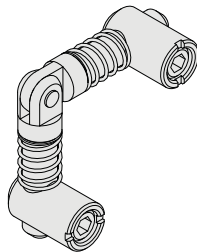
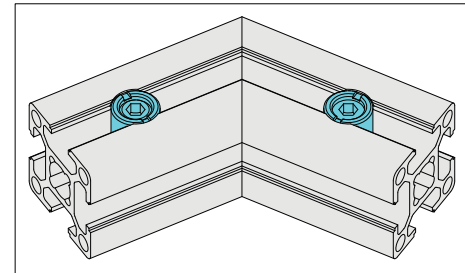


Two Way Angle Anchor Connector

Material : zinc plated steel



Description	Material	Mass (g/unit)	Part No.
Two Way Angle Anchor Connector-PG30	zinc plated steel	63	08.TWAAC
Two Way Angle Anchor Connector-PG40	zinc plated steel	97	10.TWAAC

Item	Size														
	a	b	c	d	e	f	g	h	i	j	k	l	m	n	m
Two Way Angle Anchor Connector-PG30	21	Φ12	30	30	Φ12	21	38.8	30	Φ9.9	8	Φ12	15	21	60°~180°	PG30
Two Way Angle Anchor Connector-PG40	27	Φ15	32	32	Φ15	27	43	32	Φ11.9	10	Φ15	20	27	60°~180°	PG40