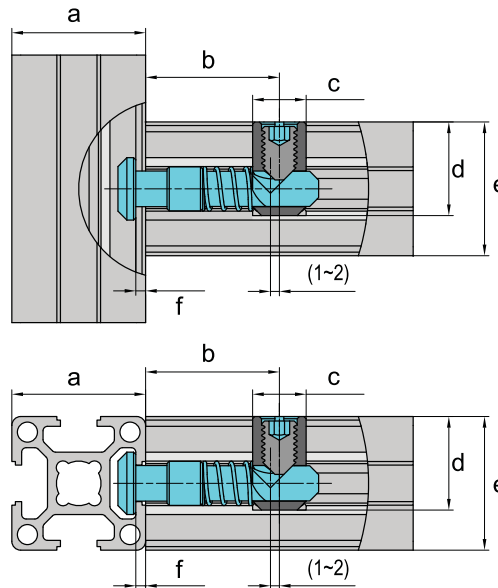
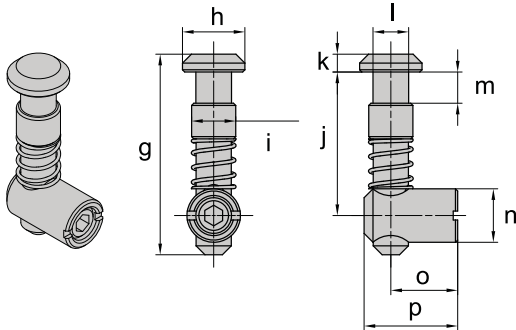
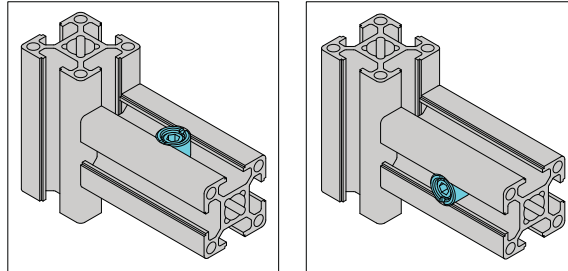


Anchor Connector Standard

Material : zinc plated steel



Description	Material	Mass (g/unit)	Part No.
Anchor Connector-PG30-Standard	zinc plated steel	39	08.AC.S
Anchor Connector-PG40-Standard	zinc plated steel	58	10.AC.S

Item	Size															
	a	b	c	d	e	f	g	h	i	j	k	l	m	n	o	p
Anchor Connector-PG30-Standard	PG30	30	Φ12	21	PG30	2.2	45	Φ14	Φ9.9	32.2	4	Φ8	7	Φ12	15	21
Anchor Connector-PG40-Standard	PG40	32	Φ15	27	PG40	4	52	Φ18	Φ11.9	36	5	Φ10	7	Φ15	20	27