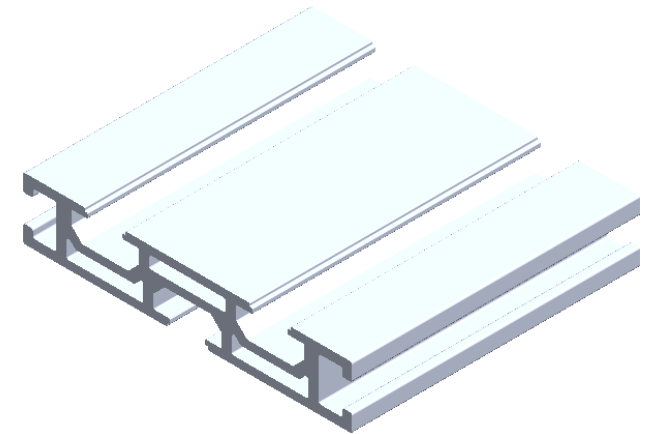
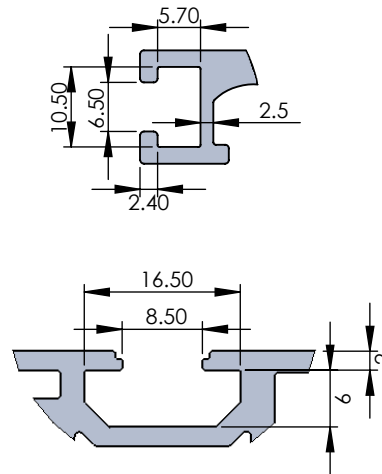
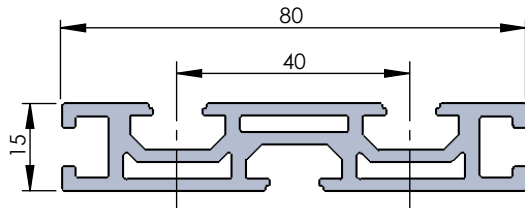




This slots for 30 group nuts



Profile group 15 Series
Part code PG1580
Description PG15x80 with 5 slots

Material Aluminium alloy
Color Clear anodising
Surface treatment 15-17 μ m 300HX

Moment of inertia Lx 3.52 cm⁴
Moment of inertia Ly 7.25 cm⁴
Moment of resistance Wx 1.90 cm³
Moment of resistance Wy 2.50 cm³
Mass 1.46 kg/mtr

All Dimensions Are In mm